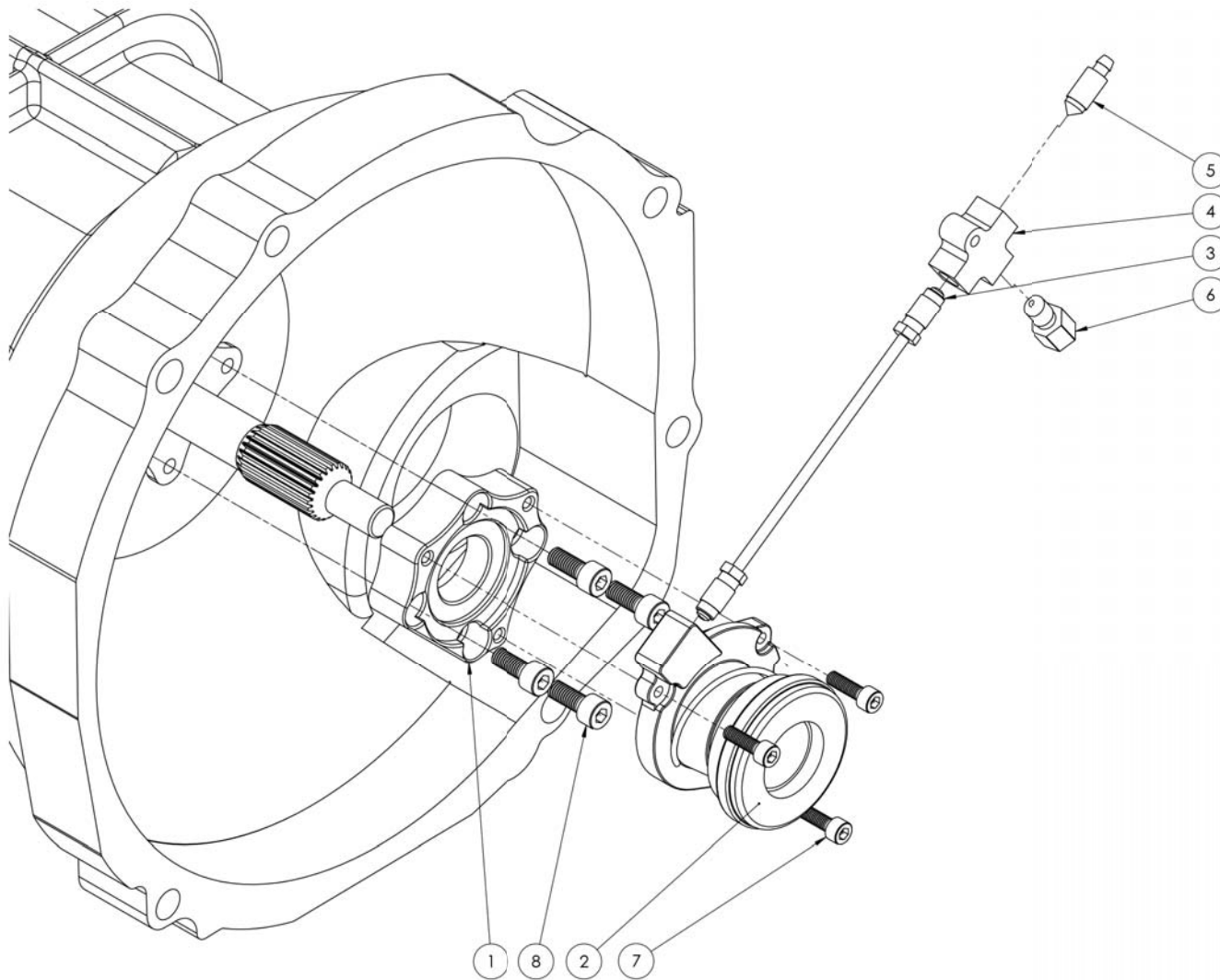


No.	PART	Piece
1.	PMC Custom Flywheel Honda K20 - Mazda RX8	1
2.	Clutch Kit LUK 624329709 Sachs 3000 951 866	
3.	PMC Gearbox Adapter Honda K20 - Mazda RX8	1
4.	Adapter Slave	2
5.	ISO 4014 M12 x 50 x 30-S	3
6.	ISO 21269 M12 x 1.25 x 30	1
7.	ISO 21269 M10 x 1.25 x 45	1
8.	ISO 4762 M12 x 55	1
9.	ISO 4762 M10 x 100	1
10.	ISO 4762 M10 x 90	1
11.	ISO 4762 M10 x 60	3
12.	ISO 4762 M10 x 50	1
13.	ISO 4762 M8 x 70	1
14.	ISO 4762 M6 x 16	1
15.	ISO 4762 M8 x 25	6
16.	Washer ISO 7089-8	1

	<b>ADAPTER KIT HONDA K series - Mazda RX8</b>
	PMC Gearbox Adapter Honda K - Mazda RX8
	<b>PART ID: FORX8-K20</b>
	PMC Custom Lightweight Flywheel Adapter Honda K - Mazda RX8
	<b>PART ID: FORX8-K20</b>



No.	PART	Piece
1.	Clutch slave cylinder adapter	1
2.	Concentric slave cylinder	1
3.	Hydraulic line	1
4.	Tee	1
5.	Bleed screw	1
6.	Inverted flare adapter	1
7.	ISO 4762 M6 x 20	3
8.	ISO 4762 M8 x 20	4

	<b>ADAPTER KIT HONDA K series - Mazda RX8</b>
--	---